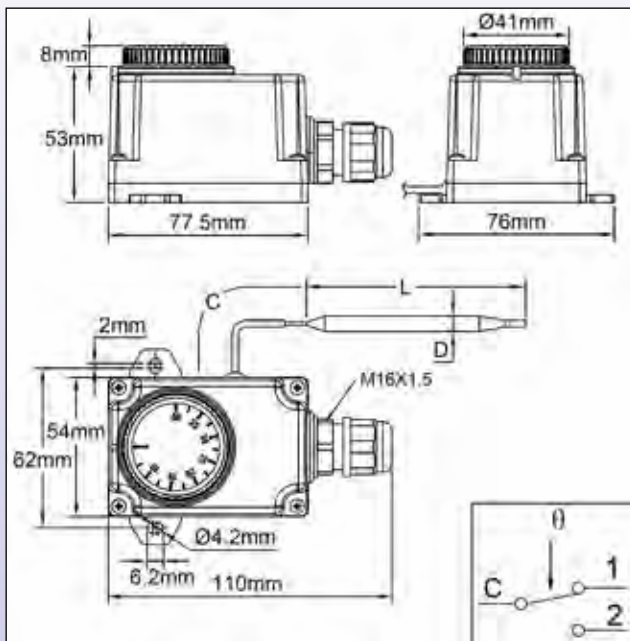


Y0 range - IP20 to IP44 enclosures and thermostatic controls

Bulb and capillary thermostat, IP44 commercial style enclosure, type Y03



Housing: IP44, 77,5 x 54 x 53 mm, (Knob and cable gland not included), black PC-ABS, UL94V0. High impact and UV resistance. 2 removable wall mounting lugs.

Electrical input: M16 cable gland.

Temperature Adjustment: With °C printed knob.

°F printed knobs available in option

Sensing element: Liquid filled bulb, distance measurement with capillary.

Adjustment ranges: -35+35°C (-30+95°F), 4-40°C (40-105°F), 30-90°C (85-195°F), 30-110°C (90-230°F), 50-200°C (120-390°F), 50-300°C (120-570°F)

Capillary length: 1.5 m

Electrical connections: screw terminals

Mounting: Wall mounting, by two side lugs with holes for dia.4 mm screws, 62 mm distance.

Contact: SPDT

Electrical rating:

- Open on temperature rise contact (C-1) 16A(2.6) 250VAC

- Close on temperature rise contact (C-2) 6A(0.6) 250VAC

- Electrical life >100.000 cycles.

Cannot be used in 400VAC

°C		°F		Bulb diameter (D, mm)	Bulb length (L, mm)	Differential °C (°F)	Max temperature on bulb °C (°F)
References (°C)	Temperature ranges (°C)	References (°F)	Temperature ranges (°F)				
Y038GA-35035AO6J	-35+35°C	Y038GA-35035AO6K	-30+95°F	6	98	3±2 (5.5±4)	55 (130)
Y038GA004040AO6J	4-40°C	Y038GA004040AO6K	40-105°F	6	140	3±2 (5.5±4)	60 (140)
Y038GA030090AO6J	30-90°C	Y038GA030090AO6K	85-195°F	6	87	4±3 (7±5.5)	120 (250)
Y038GA030110AO6J	30-110°C	Y038GA030110AO6K	90-230°F	6	93	5±3 (9±7)	150 (300)
Y038GA050200AO6J	50-200°C	Y038GA050200AO6K	120-390°F	6	59	8±5 (14±9)	250 (480)
Y038GA050300AO3J	50-300°C	Y038GA050300AO3K	120-570°F	3	165	10±5 (18±9)	350 (660)

Knob printings

°C Printing

-35+35°C	4-40°C	30-90°C	30-110°C	50-200°C	50-300°C

°F Printing

--	--	--	--	--	--

Because of permanent improvement of our products, drawings, descriptions, features used on these data sheets are for guidance only and can be modified without prior advice